

Specifications

備注 (Remark)

1. 材料 (Material)

膠芯: PA9T+30%G.F UL94V-0

Housing: PA9T+30%G.F UL94V-0

端子: 磷銅

Contact: Phosphor Brass

2. 特性 (characteristics):

額定電流: 0.50AMP

Rating Current: 0.50AMP

接觸阻抗: 30mΩ Max

Contact Resistance: 30mΩ Max

絕緣阻抗: 100MΩ Min

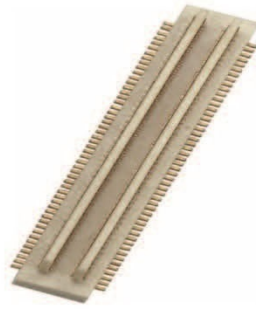
Insulating Resistance: 100 MΩ MIN

耐電壓: AC 50V

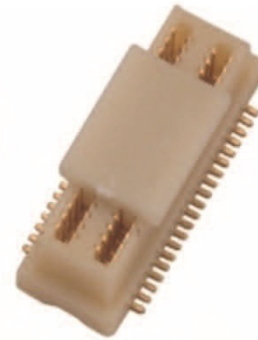
Withstanding Voltage: AC 50V/Minute

溫度範圍: -20° C to +105° C

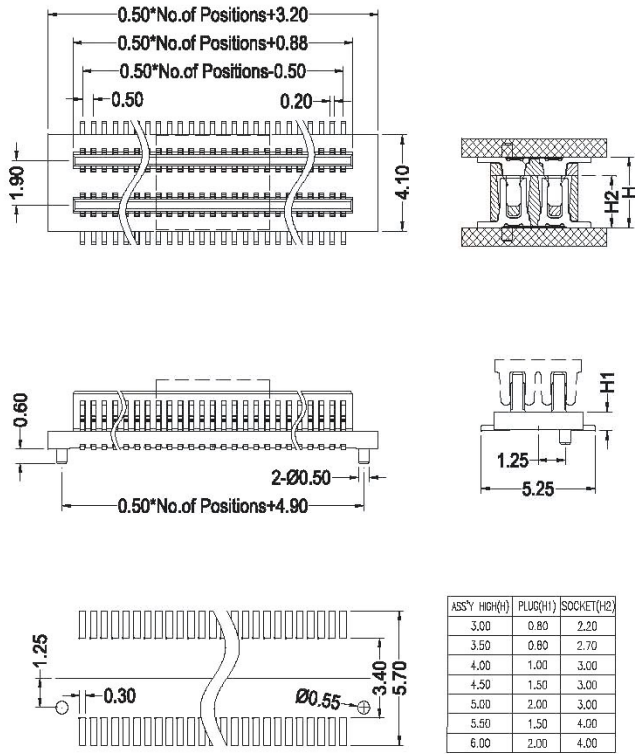
Temperature Range: -20° C to +105° C



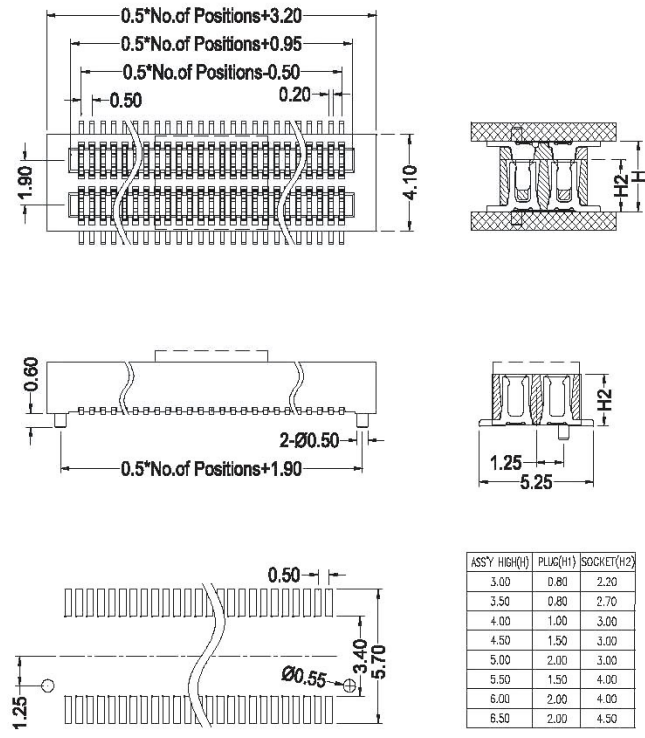
BTB5000-MXXXXXXXXXXXX1



BTB5000-FXXXXXXXXXXXX1



Recommended P.C.B Layout



Recommended P.C.B Layout

BTB CONNECTOR

BTB5000-X	XXX	S	XXX	XX	X	X	X	1
Type F:Female M:Male	No.Of Pins Per Row 10~100P	Male and Female Height Of Housing 030:3.0mm 035:3.5mm 040:4.0mm 045:4.5mm	Contact Plating Full Of Gold G0=0.8u" ~ G9=30u" S1=Ordinary Tin Plated S2=Matte Tin Plated S3=Tin-plated High-temperature	Insulator Material: A:PBT B:PA6T C:PA9T D:LCP	Colour W:White P:Beige B:Black G:Grey427 E:Grey413 U:Blue Y:Yellow	Packing A:PE Bag R:Tape & Reel T:Tube D:Tube+CAP E:Tray		